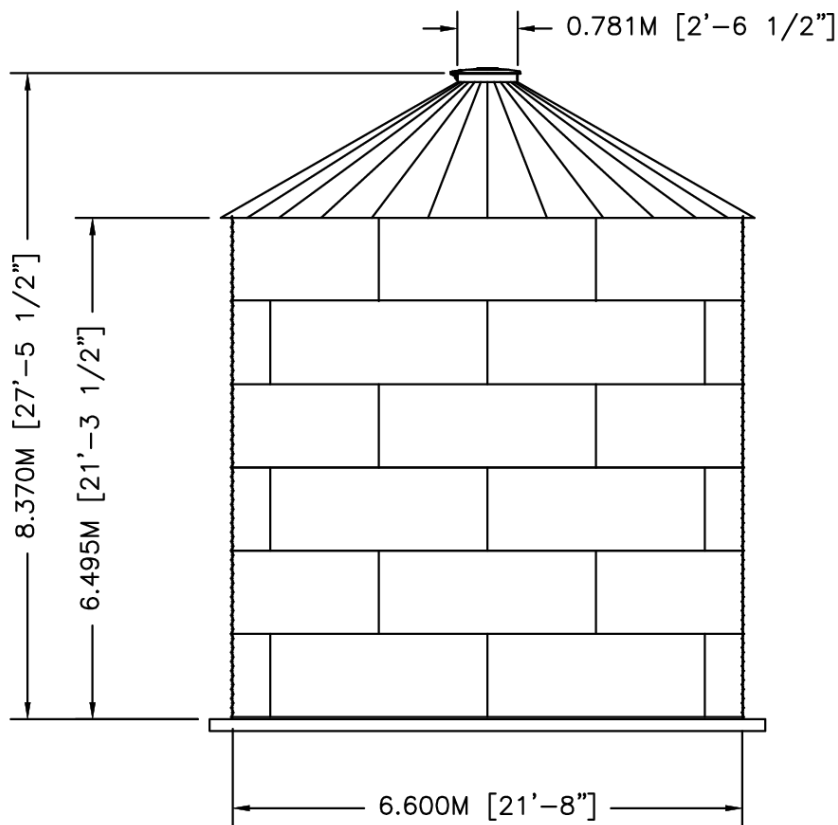


PLAN



ELEVATION

	BY	DATE	TITLE					
	DWN	XXX	XX/XX/XX	WTU07-06 30"PR 30DEG V-RIB				
	CKD			NOMINAL CAPACITY - 218.142 M3 [57,627 GAL]				
	ENG			DWG. NO. SCT2106-VR WTU07-06 REV. NO.				
	SIZE:	A	SCALE:	1/8"=1'-0"	SHEET	1	OF	1